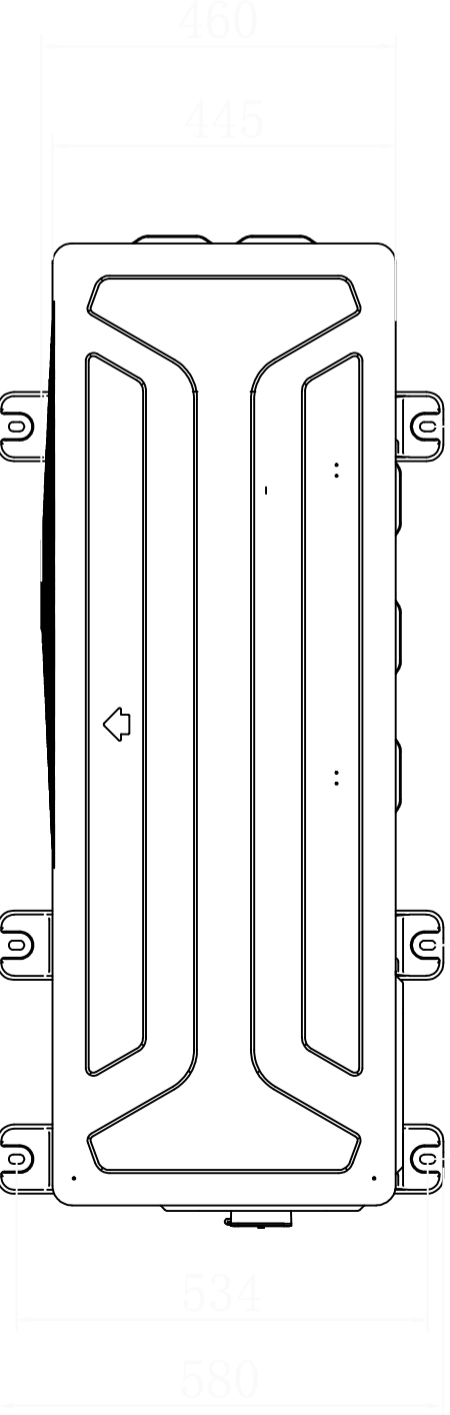
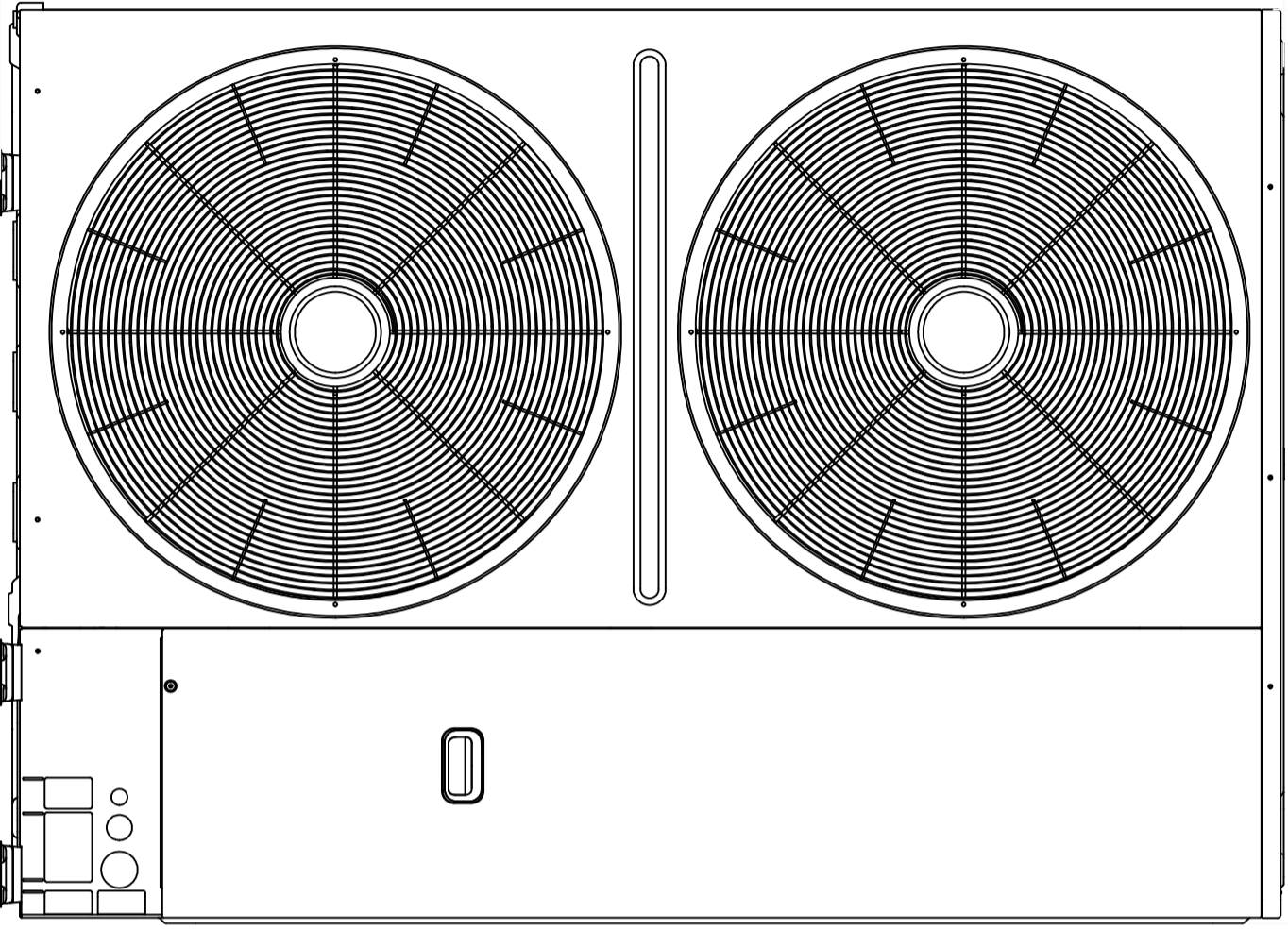



MARKER NUMBER	ECN NO.	SIGNATURE	DATE
1			
2			
3			
4			
5			
6			
7			
8			
9			
10			
11			
12			



Application model:  
 SDV6-E450ASI  
 SDV6-E500ASI  
 SDV6-E560ASI  
 SDV6-E615ASI

 AIR CONDITIONING		SDV6	
		CUSTOMER CONFIRM	SIGNATURE
SINCLAIR Global Group s.r.o.			